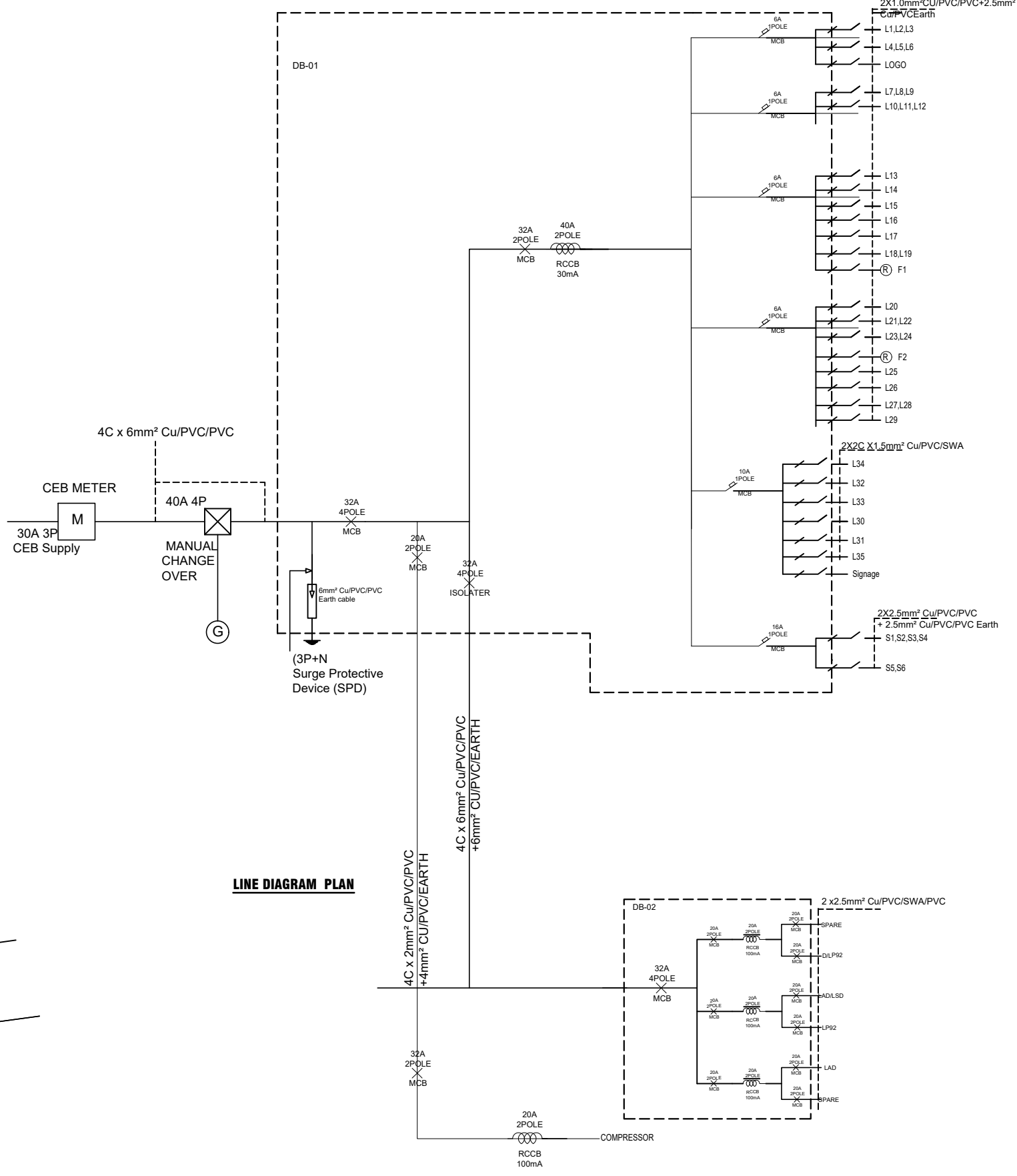


GROUND FLOOR PLAN
SCALE : 1:100




LINE DIAGRAM PLAN

LEGEND

TYPE	DESCRIPTION	SYM.
⊗	LED 100W HIGH DAY LIGHT FITTING (2P 65)	
⊗	PANEL LIGHT-CEILING RECESSED 18 W LED LAMP	
⊗	YARD LIGHT FITTINGS WITH 100W LED BULB. (2P 65)	
⊗	WATER PROOF WALL BRACKET 12W LED	
⊗	WATER PROOF PENDENT LIGHT FITTING 15W LED	
⊗	56 INCH DIAMETER CEILING FAN	F
⊗	SWITCH SOCKET OUTLET 13 A.	S
⊗	DISTRIBUTION BOARD	DB

01		12-04-2026
REV.	DESCRIPTION	DATE


CEYLON PETROLEUM CORPORATION

ENGINEERING DEPARTMENT
 NO. 609,
 DR. DANISTER DE SILVA MAWATHA,
 DEMATAGODA,
 COLOMBO -09.

TP. NO. 5661717, 5661818
 FAX 5455408

PROJECT MODIFICATION OF LANKA FILLING STATION AT MALLAKAM

TITLE ELECTRICAL DIAGRAM

ENGINEER P.BOMBUGALA

DRAWING NO CEYPET / ENG / 0652- E

SCALE 1:100 **DATE** 12-04-2026

DRAWN BY PRABATH

CHECKED BY

APPROVED BY ENGINEERING & PREMISES MANAGER